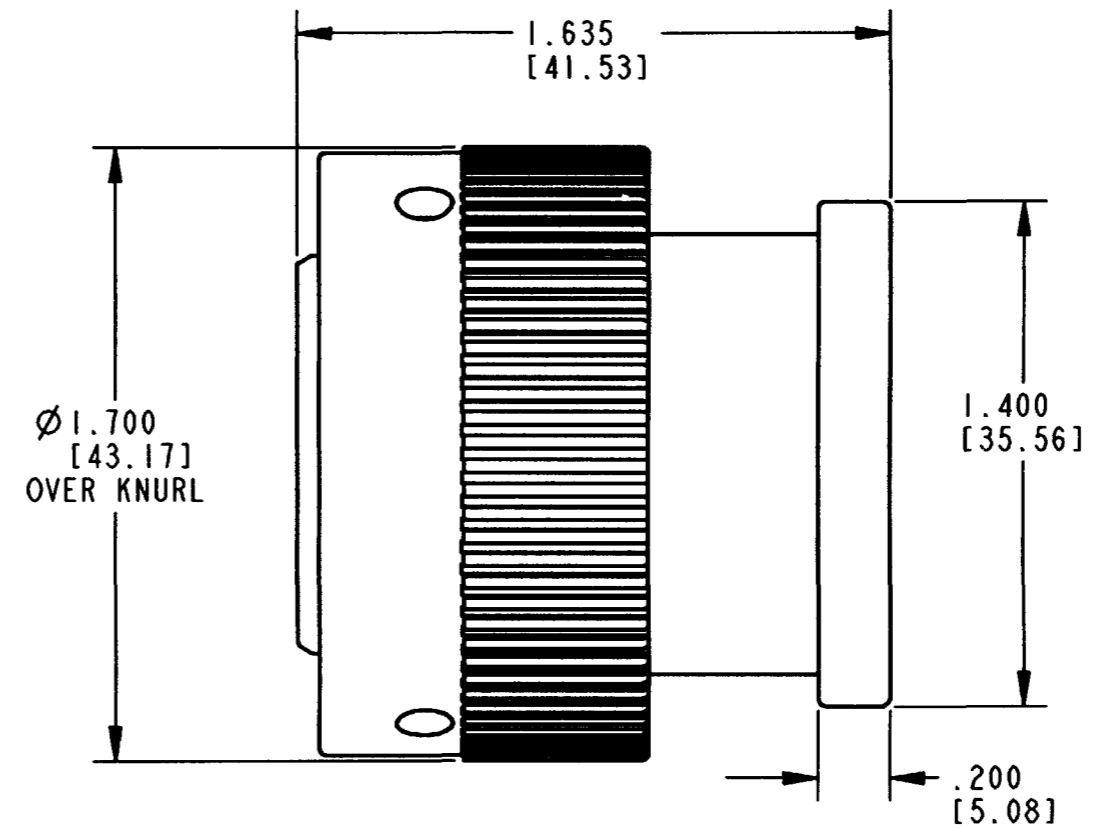
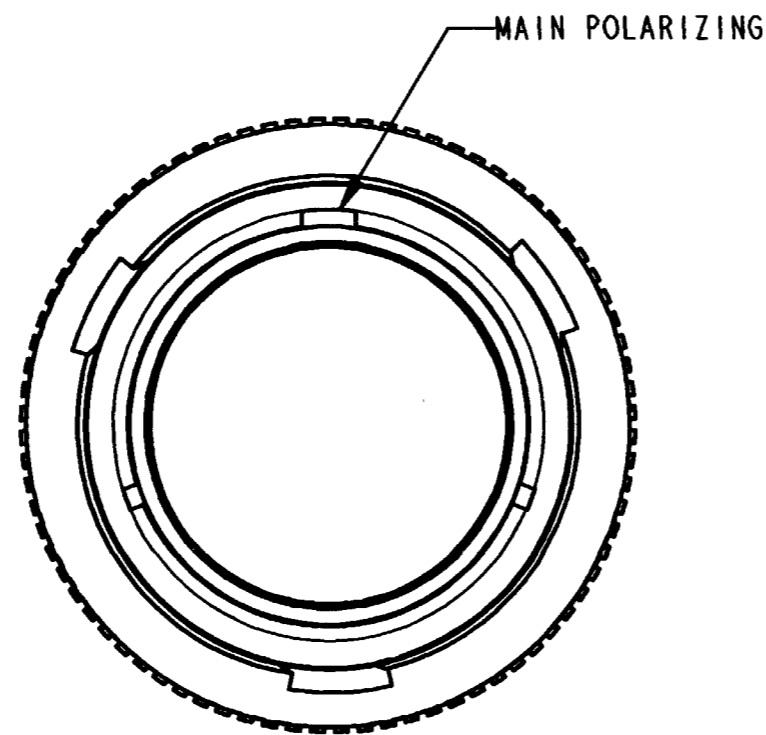


REV
NC HDP26-18-XP/S*-L017

REVISIONS			
SYM	DESCRIPTION	DATE	APPROVED
NC	NEW RELEASE PER E.O. P18277	9-3-03	RDR



8. FOR PERFORMANCE AND APPLICATION CHARACTERISTICS SEE ENVELOPE DRAWING 0425-021-0000.
7. THIS PLUG MATES WITH HDP24-18-***P/S*-**** (**** = ALL MODIFICATIONS)
6. DIMENSION TOLERANCES ARE ±.025[0.63] UNLESS NOTED OTHERWISE.
5. FOR CONTACTS AND WIRE PERFORMANCE AND APPLICATION CHARACTERISTICS SEE ENVELOPE DWG. 0425-015-0000.
4. ALL DIMENSIONS ARE INCHES [MILLIMETERS].
3. RECOMMENDED PANEL THICKNESS: .062[1.57] TO .1875[4.76] MAX.
2. BACK SHELL ADAPTER COLOR REFLECTS WIRE SEAL DIAMETER. (GREEN = 'N' SEAL; GREY = 'T' SEAL; BLUE = 'E' SEAL).

NOTES: 1. FOR CONTACTS ARRANGEMENTS, SEE ENVELOPE DRAWING 0425-013-1800.

SIGNATURE & DATE	
DR	X. SANCHEZ 13AUG03
CHK	J. Gonzalez 9/2/03
PE	A. Polinski 8/13/03
APPD	3 Beard 8/18/03
SCALE	NONE WT

PLUG CONNECTOR
BAYONET COUPLING
HDP SERIES
-L017 MOD

ENVELOPE

CP	MATL. CODE
The Deutch Company DEUTSCH I.P.D. 3850 INDUSTRIAL AVE. HEMET, CALIF. 92545	
B HDP26-18-XP/S*-L017	
DWG SIZE	CODE 11139 SHEET OF